

# DRPC-130-AL

- Fanless DIN-Rail Embedded System
- Intel® Atom® x5-E3930 1.3 GHz (up to 1.8 GHz) Solution



## Features

- Intel® Atom® x5-E3930 1.3 GHz (up to 1.8 GHz)
- DDR3L 1.35V SO-DIMM supported
- Serial, CAN bus and digital I/O interface

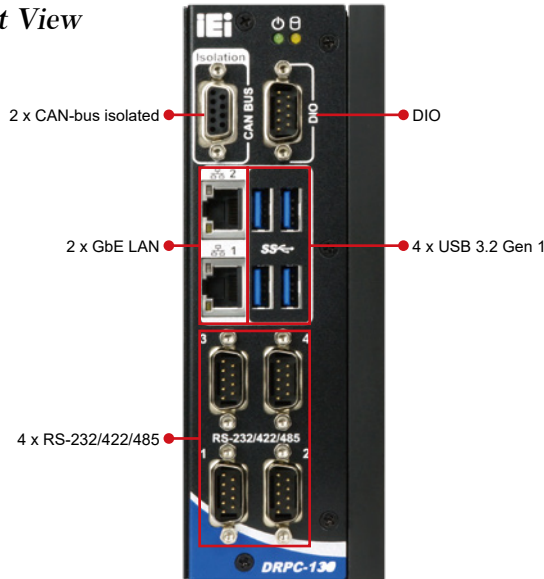


## Specifications

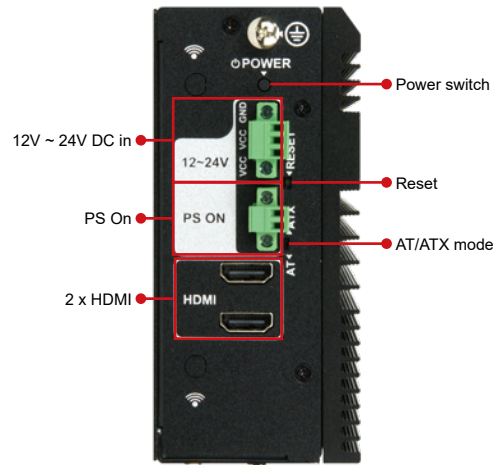
Model Name	DRPC-130-AL	
Chassis	Color	Black
	Dimensions (WxDxH) (mm)	58.75 x 130 x 174
	System Fan	Fanless
	Chassis Construction	Extruded aluminum alloy
Motherboard	CPU	Intel® Atom® x5-E3930 1.3 GHz (up to 1.8 GHz, dual-core, TDP 6.5W)
	Chipset	SoC
	System Memory	1 x SO-DIMM DDR3L 1333/1600 (up to 8GB)
Storage	Hard Drive	1 x 2.5" SATA 6Gb/s HDD/SSD bay
	eMMC	1 x eMMC 5.0 (optional, up to 32GB)
I/O Interfaces	USB	4 x USB 3.2 Gen 1
	Ethernet	2 x RJ-45: 2 x GbE by Intel® I211
	COM Port	4 x RS-232/422/485 with AFC (DB9)
	Digital I/O	8-bit Digital I/O (4-in/ 4-out)
	CAN-bus	1 x port support two CAN-bus (DB9 with 2.5kV isolation)
	Display	2 x HDMI (up to 3840 x 2160@30Hz)
	Wireless	1 x 802.11a/b/g/n/ac (optional)
	TPM	1 x TPM 2.0 (2 x 10 pin)(optional)
	Other	1 x Power Button, 1 x Reset Button, 1 x AT/ATX Switch, 1 x LED for Power (Green), 1 x LED for HDD (Yellow)
Expansions	PCIe Mini	1 x Half-size (PCIe/USB 2.0) 1 x Full-size (PCIe/USB 2.0/SATA)
	Power	Terminal block: 12 ~ 24V DC
Power	Power Consumption	12V @ 2.88 A (Intel® Atom® x5-E3930 with 4GB memory)
	Remote PWR	Terminal block: PSON
	Reliability	Mounting
Reliability	Operating Temperature	-20°C ~ 60°C with air flow (SSD), 10% ~ 95% non-condensing
	Storage Temperature	-40°C ~ 85°C with air flow (SSD), 10% ~ 95% non-condensing
	Operating Shock	Half-sine wave shock 5G, 11ms, 100 shocks per axis (SSD)
	Operating Vibration	MIL-STD-810G 514.6C-1 (SSD)
	Weight (Net/Gross)	1.4 kg/ 2.5 kg
	Safety/EMC	CE/ FCC
	Watchdog Timer	Programmable 1 ~ 255 sec/min
OS	Supported OS	Microsoft® Windows 10, Linux

Fully Integrated I/O

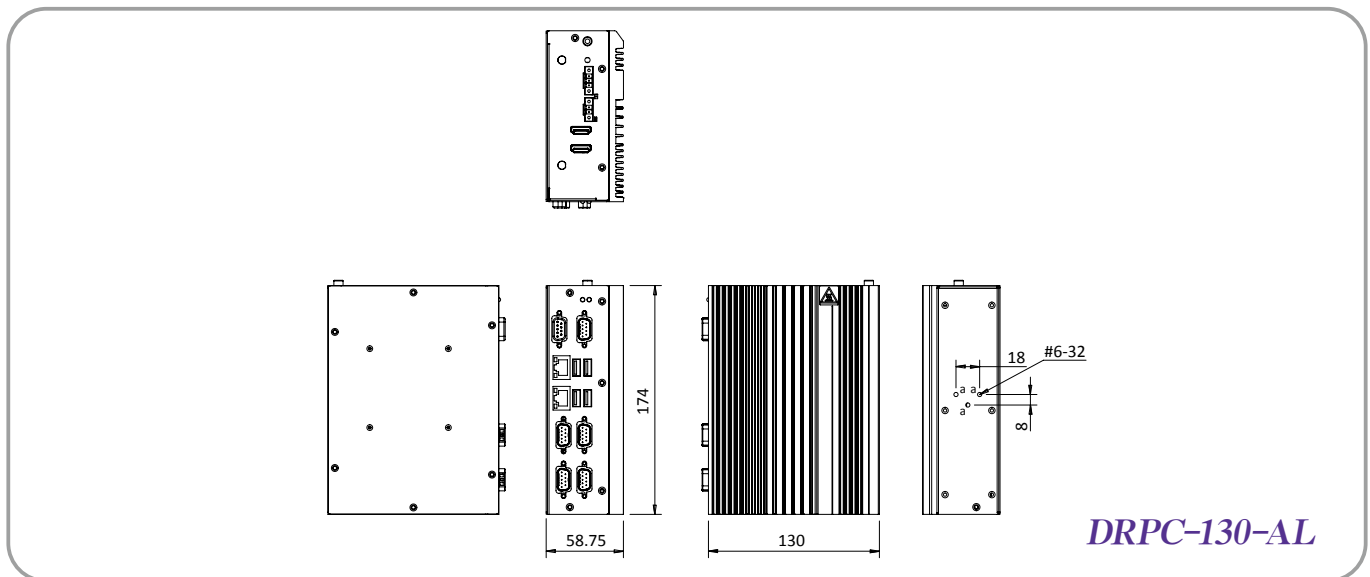
Front View



Top View



Dimensions (Unit: mm)



Ordering Information

Part No.	Description
DRPC-130-AL-E1-R11	Fanless embedded system, Intel® Apollo Lake x5-E3930 1.3 GHz (up to 1.8 GHz, dual core), two HDMI, 8-bit DIO, CAN-Bus, COM, 12~24V DC and RoHS
DRPC-130-AL-E1/4GB-R11	Fanless embedded system, Intel® Apollo Lake x5-E3930 1.3 GHz (up to 1.8 GHz, dual core), 4GB DDR3L pre-installed memory, two HDMI, 8-bit DIO, CAN-Bus, COM, 12~24V DC and RoHS

Options

Item	Part No.	Description
Adapter*	63040-010036-210-RS	Adapter Power;FSP;FSP060-DHAN3;9NA0608010;Vin:90~264VAC;60W;Dim:62.0*110*31.5mm;Plug=7.5mm;Cable=1200mm;Erp(NO LOAD 0.21W);Vout:12VDC;Φ2.5/Φ5.5/lock;CCL;RoHS
Power Cable*	32102-026500-100-RS	WIRE CABLE;POWER CABLE;2;200MM;18AWG;(A)DC JACK 5.5X2.5, NUT+WASHER ;(B)TERMINAL BLOCK:3P P=3.5;SHANGHAI YING YU;RoHS
Power Cord	32702-000400-200-RS	European power cord
Wireless Kit	EMB-WIFI-KIT01-R20	1T1R Wi-Fi module kit for embedded system, IEEE802.11a/b/g/n/ac Wi-Fi with Bluetooth 4.0/3.0+HS, 1 x Wi-Fi module, 2 x 250mm RF cable, 2 x Antenna, RoHS
TPM Module	TPM-IN02-R20	20-pin Infineon TPM2.0 module, software mangement tool, firmware v5.5
DIN-Rail Mounting Kit	DK-DRPC-R10	Rugged DIN-rail mounting kit for DPRC series only
OS: Windows Embedded 10	DRPC-130-W10E64-E-R10	OS Image with Windows® 10 IoT Enterprise Entry 64-bit for DRPC-130-AL Series, with DVD-ROM, RoHS

\*It is required to order Power Cable together with Adapter for power usage

Packing List

1x Din-rail mounting kit	1 x Screw kit
--------------------------	---------------