

I330EAC-ITW-6L

Intel® Core™ i5-1135G7 Marine Computer



KEY FEATURES

- Intel® Tiger Lake Core™ i5-1135G7, Marine computer
- RAM 4G DDR4L (Up to 32G)
- Removable 2.5" SSD drive bay
- 6 x LAN port
- Isolation Power Protection 1.5KV
- DNVGL-CG-0339, IEC60945 Certificate



SPECIFICATIONS

System Specification

Processor	Intel Core i5-1135G7 2.4GHz (up to 4.2GHz)	Memory	2 x SO-DIMM, DDR4 3200 MHz, 4GB 8GB (Optional) 16GB (Optional) 32GB (Optional)
Storage	1 x M.2 M-Key 2280 NVMe SSD, 128GB 256GB (Optional) 512GB (Optional) 1TB (Optional) 2TB (Optional) 4TB (Optional)	Ethernet controller	Intel® Ethernet Connection I219-LM Intel® Ethernet Connection I225-LM
Operating System	Windows 10 IoT Enterprise (Optional)		

Environment

Operating Humidity	5% to 95%	Operating Temperature	-15~55°C
Shock	15G, 11ms duration	Vibration	0.7g@DNVGL CG-0339 (Class A)

Certification

Certification	CE, FCC DNVGL-CG-0339, IEC60945 4th, IACS E10
----------------------	--

IO Ports

USB Port	4 x USB 3.0	Serial Port	2 x RS232/422/485
Video	1 x Display Port 1 x HDMI Output (Optional)	Audio	1 x Audio combo 3.5mm audio combo jack
Expansion Port	2 x 2.5" Removable 64GB SSD/HDD up to 512GB (Optional)	LAN	6 x Giga LAN

Mechanical

Dimension	316.44 x 206.8 x 62.1 mm (With Mounting)	Weight	3.9 kg
Mounting	table mount	Enclosure	Aluminum
Cooling System	Fanless Design		

Power

Power Rating	24V DC In (Approval by Certificate) 9~36V DC Input Acceptable	Consumption	50W
---------------------	--	--------------------	-----

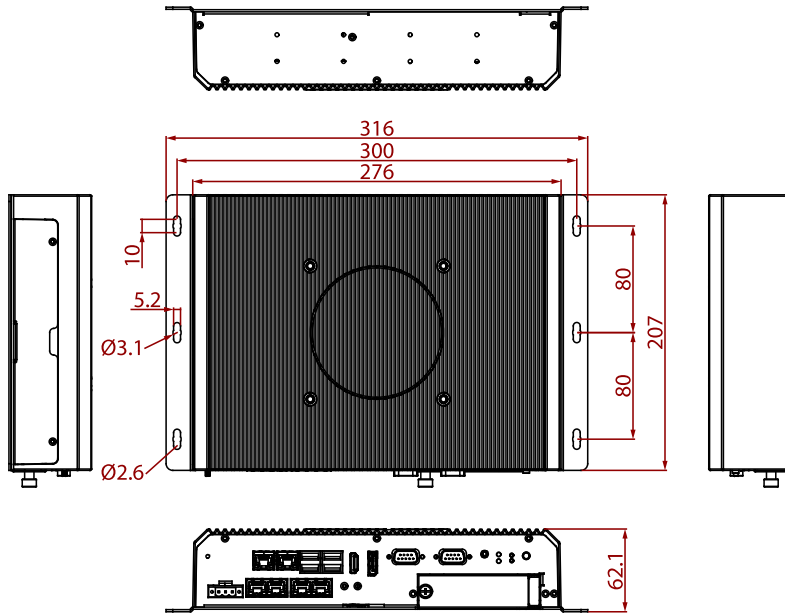
Control

Button	1 x Power Button 1 x Reset Button
---------------	--------------------------------------

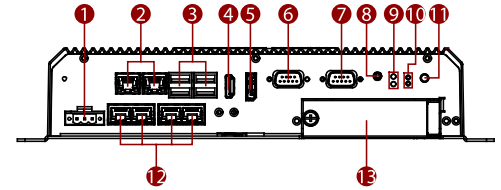
Accessory

Accessory	1 x User Manual 1 x Power Cord 1 x Open Wire Cable 1 x AC Adapter 12V/ 84W
------------------	---

DIMENSIONS UNIT:MM



Front side I/O



- | | |
|-----------------|----------------------------|
| ① Power Input | ⑧ Audio (Mic in/ Line Out) |
| ② Giga LAN | ⑨ HDD LED indicator |
| ③ USB 3.2 Gen.1 | ⑩ Reset/ Clear CMOS button |
| ④ HDMI | ⑪ Power Switch |
| ⑤ DP | ⑫ LAN |
| ⑥ COM | ⑬ Removable HDD/ SSD Slot |
| ⑦ COM | |

NOTE

1. This is a simplified drawing and some components are not marked in detail.
2. Please contact our sales representative if you need further product information.
3. All specifications are subject to change without prior notice.
4. The product shown in this datasheet is a standard model. For diagrams that contain customized or optional I/O, please contact the Winmate Sales Team for more information.