





# TOUGHBOOK 40

## 14" FULLY RUGGED WINDOWS 11 PRO NOTEBOOK WITH FULL-HD TOUCH DISPLAY

TOUGHBOOK 40 with Windows 11 Pro, magnesium chassis, flexible configurations and expansion areas is the most versatile 14" fully rugged Toughbook ever built, but doesn't compromise on durability, with improved strength and IP66 resistant design.

In terms of flexibility, the TOUGHBOOK 40 is equally outstanding. It offers a huge array of flexible configuration options, making it easier for customers to have exactly the device they want.

- Intel® Core™ i5-1145G7 vPro™ Processor
- Windows 11 Pro / Windows 10 Downgrade
- 14" Full-HD Touch Active Matrix LCD, 1.200cd/m<sup>2</sup> brightness
- 16GB DDR4 RAM and 512GB Quick Release NVME OPAL SSD
- 2x USB 3.2, 1x Thunderbolt 4, 1x HDMI, 1x LAN and micro SDCX
- Left, Right, Rear and Palm Rest Expansion Area
- Long battery life of up to 18 hours (MobileMark 2014)
- 4G or 5G with eSIM optional
- Dedicated GNSS optional
- -29 °C to +63 °C operating temperature
- Fully Rugged magnesium casing with carry handle
- IP66 Ingress Protection\*
- Withstands drops from a height of 180cm\*
- Shock and vibration protected for vehicle docking

*\*Tested by an independent third-party lab following MIL-STD810H*

*All technical specifications are subject to change without notice.*



# TOUGHBOOK 40 ACCESSORY ECOSYSTEM



All accessories in this guide are fully tested and certified in the Panasonic factory by Panasonic engineers

## LEFT EXPANSION AREA OPTIONS

### 2<sup>nd</sup> SSD Packs (SATA):



Option	SKU
OPAL 512 GB	FZ-V2S400T1U
OPAL 1 TB	FZ-V2S401T1U



### Other Options:



**DVD Multi Drive**

Part No: **FZ-VDM401U**



**Smart Card Reader**

Part No: **FZ-VSC402U**



**Blu-ray Disc Drive**

Part No: **FZ-VBD401U**

*All technical specifications are subject to change without notice.*

## RIGHT EXPANSION AREA OPTIONS



**Smart Card Reader**

Part No: FZ-VSC401U



**Battery Pack**

Common for standard battery.

Part No: **FZ-VZSU1XU**

## RAM MODULES

Option	SKU
8GB	FZ-BAZ2108
16GB	FZ-BAZ2116
32GB	FZ-BAZ2132



*All technical specifications are subject to change without notice.*

## REAR EXPANSION AREA OPTIONS



**VGA + True Serial + 2<sup>nd</sup>  
GBit LAN**

Part No: FZ-VCN401U



**True Serial + USB 3.1  
Type A + 2<sup>nd</sup> HDMI 2.0**

Part No: FZ-VCN402U



**x2 USB 3.1 Type A + 2<sup>nd</sup>  
HDMI 2.0**

Part No: FZ-VCN403U

## PALM REST EXPANSION AREA OPTIONS



**Contactless Smart Card  
Reader (HF-RFID)**

Part No: FZ-VNF401BU



**Fingerprint Reader  
(Windows Hello)**

Part No: FZ-VFP401BU

To be Secured Core PC  
compliant this item only can  
be installed by IT  
department



**Fingerprint Reader  
(Windows Hello, Multi  
User Authentication)**

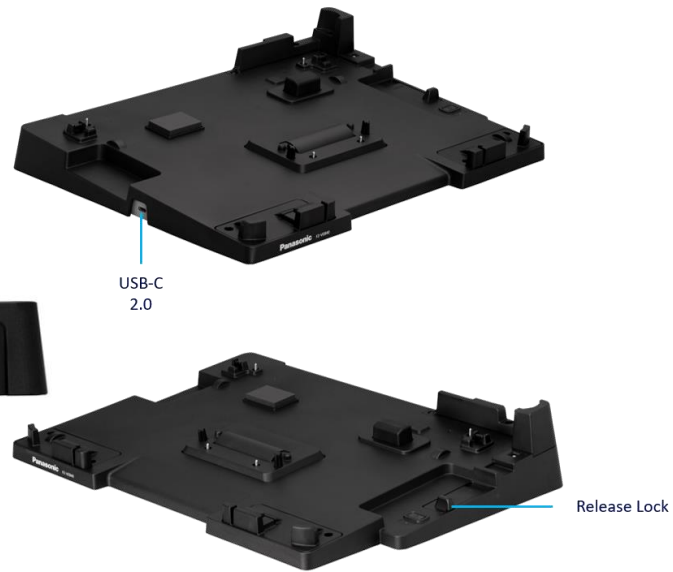
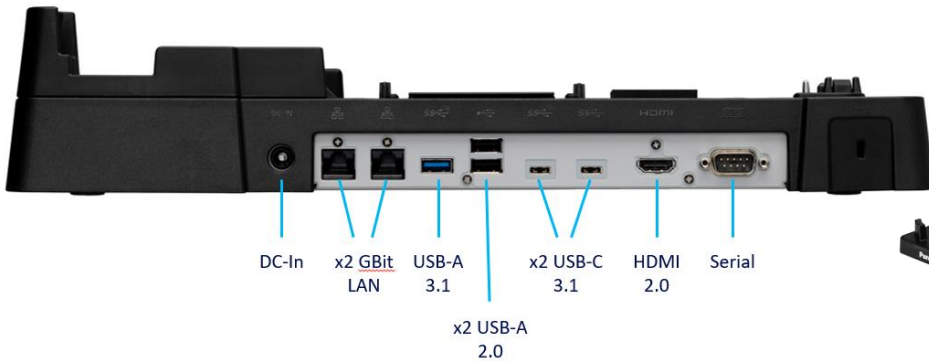
Part No: FZ-VFP402BW

*All technical specifications are subject to change without notice.*

## DOCKING SOLUTIONS

### TOUGHBOOK 40 Desktop Port Replicator

Part No: **FZ-VEB401U**



### TOUGHBOOK 40 Vehicle Dock (Gamber-Johnson)

Coming Soon

### TOUGHBOOK 40 Vehicle Dock (Havis)

#### Standard port replication:

- x2 LAN, x2 USB 2.0 type A, x1 USB 2.0 Type c, x1 USB 3.0 Type A, x1 USB 3.0 type c, x1 Serial (**Advanced port replication + x1 HDMI**)
- Optional quad antenna pass-thru
- 16V DC-in

Size: 336 x 313 x 67 mm

Weight: 2.5 kg

#### Part No:

- PCPE-HAV4001 without Electronics
- PCPE-HAV4002 Standard Port Replication (no antenna pass-thru)
- PCPE-HAV4003 Standard Port Replication (with quad antenna pass-thru)
- PCPE-HAV4004 Advanced Port Replication (no antenna pass-thru)
- PCPE-HAV4005 Advanced Port Replication (with quad antenna pass-thru)



All technical specifications are subject to change without notice.

## CARRYING SOLUTIONS

### TOUGHBOOK 40 Shoulder Strap

Contains D-Rings

Part No: FZ-VNS401U



### Synergy Rucksack

Weight: 1 kg / 2.2 lbs

Size: 254 x 330 x 460 mm

Part No: PCPE-WENSYN1



### Breakable Shoulder Strap

Does not contain D-rings.  
Alternative strap to be used  
with existing d-rings or  
cases with d-rings.

Part No:PCPE-SYSSSB1



## MOBILE PRINT SOLUTIONS

### PJ7 Series A4 Mobile Printers

Perfectly dimensioned for your briefcase or computer bag, PJ7 series of compact, direct thermal printers can also be easily mounted in your vehicle. Take it out on the road and make sure your clients and customers receive those all-important documents in an instant. Available with 300 dpi print resolution, and with USB, Bluetooth or Wi-Fi.

Part No.: **PCPE-BRPJ763**  
**PCPE-BRPJ773**

PJ763 A4 mobile printer, 300 dpi with USB & Bluetooth  
PJ773 A4 mobile printer, 300 dpi with USB, Wi-Fi and  
AirPrint



*All technical specifications are subject to change without notice.*





## POWER MANAGEMENT SOLUTIONS

### Main Battery

(6Cell, 68 Wh)

Part No: **FZ-VZSU1XU**



### AC Adaptor

Part No:CF-AA5713A2\*

\*E: UK; G: EU; T: Italy; D: Switzerland



### 4-bay Battery Charger

Part No: **FZ-VCB551\***

Includes AC adaptor

\*E: UK; G: Continental; T: Italian



### Auto Adaptor (120W)

Part No: **CF-LND1224A**



## PRODUCTIVITY SOLUTIONS

### TOUGHBOOK 40 Stylus

Part No: **FZ-VNP401U**



### TOUGHBOOK 40 Tether

Part No: **FZ-VNT005U**



### Toughmate Stylus Tether

Part No: **PCPE-INFUVA2**



### USB Optical Mouse

Part No: **PCPE-LOGM901**



*All technical specifications are subject to change without notice.*

## SECURITY & PROTECTION SOLUTIONS

### LCD Screen Cleaning Cloth

Part No: **CF-VNC002U**

MOQ: 10 pcs



### Protective 14" LCD Film

Replacement for protective film pre-installed on TOUGHBOOK 40

Part No: **FZ-VPF39U**



### Kensington Lock

Part No: **PCPE-KENLOK2**



## OTHER PERIPHERALS

### Slimline External CD/DVD Writer

Part No: **PCPE-FCDVR05**



### Slimline External Blu-Ray Writer

Part No: **PCPE-FCDVR06**



*All technical specifications are subject to change without notice.*

## PROFESSIONAL SERVICES

### Custom BIOS Services

Part No: **PCPE-PSBIOSG**

### Autopilot Enrolment

Part No: **PCPE-PSAUTOP**

### SIM Installation

Part No: **PCPE-PSSIMIN**

### Information Management Bundle

IMEI, MAC, SIM, ASSET, Hardware Hash reporting.

Part No: **PCPE-PSATAGB**

### Solution Packaging

Up to 10 items packaged together in a box.

Does not include custom designed case.

Part No: **PCPE-PSSPACK**

### Custom Imaging

Part Nos:

- **PCPE-PS20GIM - Image deployment per device (MOQ 30)**
- **Custom Image Creation - Price on request.**

### Customer Branding

Logo badge on device casing or bezel.

Part No: **PCPE-PSLOGOB**

### Asset Tagging

Standard, using CPE label set.

Part No: **PCPE-PSATAG1**

### Custom Logistics

Part No: **PCPE-PSCDL01**

Price on Request.

*All technical specifications are subject to change without notice.*

## LIFECYCLE SUPPORT SOLUTIONS

### Extended Warranty

Panasonic's Extended Warranty provides an additional two years of warranty, helping you to minimise repair costs and maximise the life cycle of your Toughbook or TOUGHBOOK.

Part No.: CF-LESPEW\* \*4 / 5

### Accidental Damage Warranty

Panasonic's Accidental Damage Warranty provides protection against any eventuality out in the field for up to 5 years, providing you and your workforce with complete peace of mind.

Part No.: CF-LESPAD\* \*3 / 4 / 5 (4 & 5 year options include Extended Warranty)

### Smart Battery Warranty

Smart Service Lite battery analytics, powered by B2M, monitor device battery health in real-time. Smart Service Lite will alert you when batteries deployed in the field reach a low capacity level so a replacement battery can be sent out in advance.

Part No.: CF-LESPBASS\* \*3 / 4 / 5



*All technical specifications are subject to change without notice.*

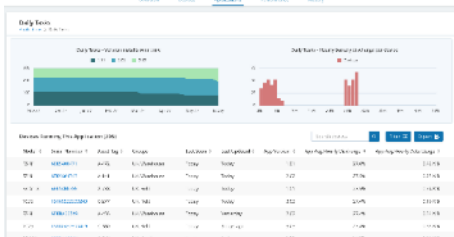


# TOUGHBOOK SMART ESSENTIALS



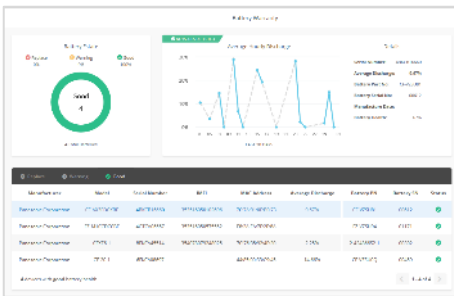
Get visibility and take control.

TOUGHBOOK Smart Essentials is a suite of Enterprise Mobility Intelligence tools, providing real-time insight into mobile device and battery health, enabling customers to proactively find and fix enterprise mobility issues.



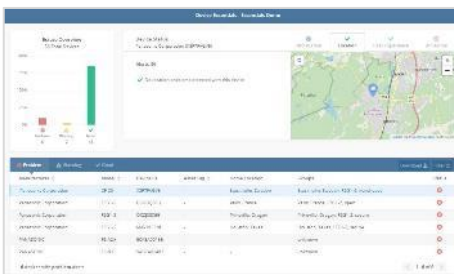
## Smart Service

Real time analytics, powered by B2M Solutions, showing the health and performance of your estate of mobile devices, focussing on areas such as battery life, data usage, disruptions and connectivity. Enables the user to recognise patterns of usage and potentially pre-empt issues before they arise.



## Smart Battery Monitor

An additional “Smart” module that monitors battery usage and health in detail, focusing on battery serial numbers, the software allows the customer to track, identify and replace batteries before they impact productivity. With dashboard access and alerts.



## Smart Device Monitor

An additional “Smart” module that monitors device usage in more detail. Dashboard access provides information such as device location; user experience, including drop detection on Android devices and also enables alerts and geofences to be set up.

TOUGHBOOK Smart Essentials can be purchased as a bundle, including all 3 modules detailed above as well as APIs to be able to pull the data into other business intelligence analysis tools:

- CF-LESPSESS1      1 year Smart Essentials Bundle
- CF-LESPSESS3      3 year Smart Essentials Bundle
- CF-LESPSESS5      5 year Smart Essentials Bundle

Alternatively, Battery Monitor and Device Monitor modules can be bought separately:

- CF-LESPBAEE1      1 year Smart Battery Monitor software licence
- CF-LESPBAEE3      3 year Smart Battery Monitor software licence
- CF-LESPBAEE5      5 year Smart Battery Monitor software licence
  
- CF-LESPDAEE1      1 year Smart Device Monitor software licence
- CF-LESPDAEE3      3 year Smart Device Monitor software licence
- CF-LESPDAEE5      5 year Smart Device Monitor software licence

All technical specifications are subject to change without notice.

## SOFTWARE SOLUTIONS – PREMIER PARTNERS



### Absolute Data and Device Security

Patented technology to centrally secure TOUGHBOOK devices for unrivalled endpoint security and data risk management.

*Part numbers available upon request.*

Website: <https://www.absolute.com/partners/oem/panasonic/>



### NetMotion Mobility

More than just a VPN, "Mobility" Mobile Performance Management software can dynamically maintain access to applications through changing network conditions, allowing mobile workers to remain productive anywhere their work takes them. Diagnostics option also available.

*Part numbers available upon request.*

Website: <https://www.netmotionsoftware.com/products/mobility>



### SOTI MobiControl

MobiControl is an Enterprise Mobility Management (EMM) solution with enhanced EMM features like application management, content management, location services and remote help.

*Part numbers available upon request.*

Website: <https://www.soti.net/products/soti-mobicontrol/>



### Sygic

Sygic Professional GPS Navigation works offline and features truck specific routing, itinerary with time windows and over 60 APIs for development with Android and Windows based apps.

*Part numbers available upon request.*

Website: <https://www.sygic.com/enterprise/professional-gps-navigation-sdk>

For more info on these software solutions, please refer to the co-branded data sheet [here](#).

## SOFTWARE SOLUTIONS – CERTIFIED PARTNERS



### StayLinked

StayLinked's SmartTE software provides a cost-effective way to take advantage of touchscreen devices with Terminal Emulation by transforming traditional "green screen" application screens into easy-to-use, graphical screens with no changes to the underlying enterprise applications.

For more information or to request a demo, visit:

<https://www.staylinked.com/panasonic>



### Loqus

Loqus Fleet Ltd specialises in the provision of end-to-end Transport management systems providing organisations with the necessary tools to help them Plan, Execute and Monitor & Control work orders from initial order taking down to the last mile. Headquartered in Malta, the group employs a passionate team of high calibre software engineers supported by an experienced management team

Visit website: <http://openfleet.loqusgroup.com/>



### Acronis

Acronis sets the standard for cyber protection and hybrid cloud storage through its innovative backup, anti-ransomware, disaster recovery, storage, and enterprise file sync and share solutions. Enhanced by its award-winning AI-based active protection technology, blockchain-based authentication and unique hybrid-cloud architecture, Acronis protects all data in any environment – including physical, virtual, cloud, mobile workloads and applications – all at a low and predictable cost.

Visit website: <https://www.acronis.com>



### GPC Systems

GPC is an award-winning software house with over 25 years of experience working with a range of sectors across the globe. Driven by the needs of their customers in healthcare, transportation, police, logistics and local government, GPC strives to improve outcomes through the most efficient use of resources. GPC has in-depth experience creating solutions utilising 3D cameras, including the Intel® RealSense™ technology integrated into the TOUGHBOOK M1.

Visit website: <https://www.gpcsl.com/>

*All technical specifications are subject to change without notice.*

## ACCESSORY SUMMARY

Solution Type	Part Number	Description
Left Expansion Area	FZ-V2S400T1U	OPAL 512 GB 2 <sup>nd</sup> SSD (SATA)
	FZ-V2S401T1U	OPAL 1TB 2 <sup>nd</sup> SSD (SATA)
	FZ-VDM401U	DVD Multi Drive
	FZ-VBD401U	Blu-ray Disc Drive
	FZ-VSC402U	Smart Card Reader
Right Expansion Area	FZ-VSC401U	Smart Card Reader
	FZ-VZSU1XU	Battery Pack
Rear Expansion Area	FZ-VCN401U	VGA x1, Serial x1, 2 <sup>nd</sup> Gigabit LAN x1
	FZ-VCN402U	Serial x1, USB 3.1 Type A x1, 2 <sup>nd</sup> HDMI 2.0 x1
	FZ-VCN403U	USB 3.1 Type A x1, 2 <sup>nd</sup> HDMI 2.0 x1
Palm Rest Expansion	FZ-VNF401BU	Contactless Smart Card Reader (HF-RFID)
	FZ-VFP401BU	Fingerprint Reader (Windows Hello)
	FZ-VFP402BW	Fingerprint Reader (Windows Hello, Multi User Authentication)
RAM Modules	FZ-BAZ2108	8GB RAM
	FZ-BAZ2116	16 GB RAM
	FZ-BAZ2132	32GB RAM
Docking Solutions	FZ-VEB401U	TOUGHBOOK 40 Desktop Port Replicator
		TOUGHBOOK 40 Vehicle Dock (Gamber-Johnson)
	PCPE-HAV40* 01/02/03/04/05	TOUGHBOOK 40 Vehicle Dock (Havis)
	PCPE-HAV4002	Vehicle Dock with Standard Port Replication (no Pass-thru)
Bags and Carry Solutions	PCPE-SYSSSB1	Breakable Shoulder Strap without D-Rings
	FZ-VNS401U	Shoulder Strap with D-Rings
	PCPE-WENSYN1	Synergy 15.6" Backpack
Power Management	FZ-VZSU1XU	Battery Pack
	FZ-VCB551* E/G/T	4-bay Battery Charger
	CF-AA5713A2*	AC Adaptor (*E: UK; G: Continental; T: Italian ; D: Swiss)
	CF-LND1224A	Auto Adaptor (120W)
Productivity	FZ-VNP401U	TOUGHBOOK 40 Touch Screen Stylus Pen
	FZ-VNT005U	Stylus Tether
	PCPE-INFUVA2	Toughmate Stylus tether
	PCPE-LOGM901	USB Optical Mouse

*All technical specifications are subject to change without notice.*



## ACCESSORY SUMMARY

Solution Type	Part Number	Description
<b>Security, Protection &amp; Cleaning</b>	PCPE-KENLOK2	Kensington Lock
	CF-VPF39U	Protective Film for 14" LCD
	CF-VNC002U	LCD Cleaning Cloth (MOQ: 10pcs)
<b>Peripherals</b>	PCPE-FCDVR05	USB External CD-DVD Drive
	PCPE-FCDVR06	USB External Blu-Ray Drive
<b>Mobile Printing Solutions</b>	PCPE-BRPJ763	PJ763 A4 mobile printer, 300 dpi with USB & Bluetooth
	PCPE-BRPJ773	PJ773 A4 mobile printer, 300 dpi with USB, Wi-Fi & AirPrint
<b>Professional Services</b>	PCPE-PSBIOSG	Custom BIOS Service – Gold
	PCPE-PS20GIM	Image deployment per device (MOQ 30)
	PCPE-PSSIMIN	SIM Installation
	PCPE-PSATAG1	Asset Tagging
	PCPE-PSATAGB	Information Management Bundle
	PCPE-PSAUTOP	Autopilot Enrolment
	PCPE-PSLOGOB	Custom logo badge
	PCPE-PSSPACK	Solution Packaging
	PCPE-PSCDL01	Customised Deployment / Logistics
	PCPE-PSBTM01	Bespoke Training Material
<b>Smart Essentials</b>	CF-LESPSESS3/4/5	Smart Essentials Bundle – 3, 4 or 5 years
	CF-LESPBAEE1/3/5	Smart Battery Monitor cloud licence – 1, 3 or 5 years
	CF-LESPDAEE1/3/5	Smart Device Monitor cloud licence – 1, 3 or 5 years
<b>Lifecycle Support Solutions</b>	CF-LESPEW* 4/5	Extended Warranty
	CF-LESPAD* 3/4/5	Accidental Damage Warranty
	CF-LESPBASS* 3/4/5	Smart Battery Warranty

Panasonic and TOUGHBOOK are brand names and registered trademarks of Panasonic Corporation. Intel, the Intel logo, Intel Core, Intel vPro, Core Inside and vPro Inside are trademarks of Intel Corporation in the U.S. and other countries. Microsoft® and Windows® are registered trademarks of Microsoft® Corporation of the United States and/or other countries. All other brand names shown are the registered trademarks of the relevant companies. All rights reserved.

Mobile Solutions Business Division – Europe (MSBDEU), Panasonic Connect Europe GmbH, Hagenauer Straße 43, D-65203 Wiesbaden (Germany).