

LM-1000-CL

Low Magnetic Signature Fanless Industrial Computer With 8th/9th Gen Core i7 With Up To 8 Cores.

Features Include:

- 8th/9th Gen Core i3/i5/i7 CPU
- Up to 64GB RAM Supported
- Two PCI Express Expansion Slots
- 4 x Universal I/O Expansion Slots
- Wide Operating Temperature (-40°C to 70°C)



System Overview

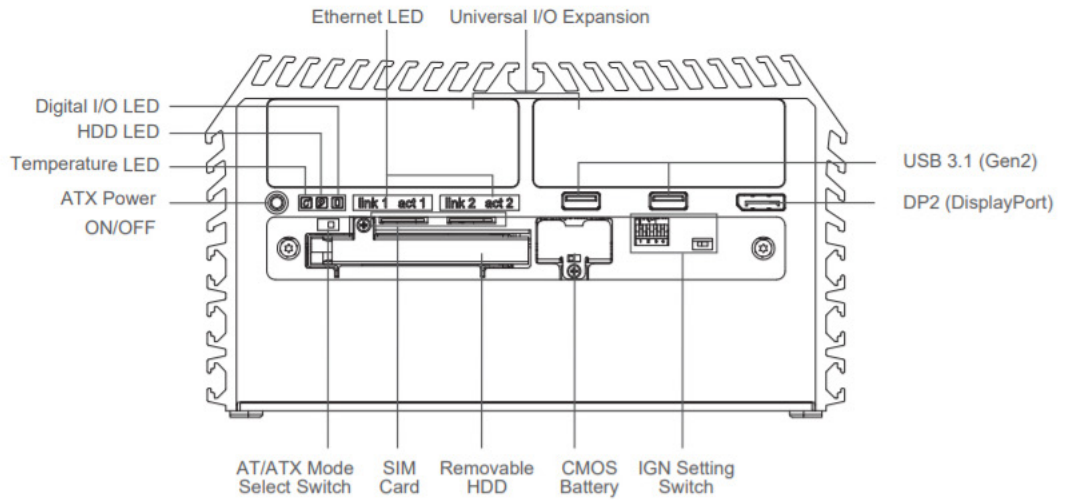
The LM-1000-CL is a high performance fanless embedded computer, powered by an 8th/9th gen Core i3/i5/i7 CPU and up to 64GB DDR4 memory capacity for unprecedented performance to fulfil all kinds of high-end computing requirements.

The system also incorporates rich I/O, such as 2 x Intel® GbE ports, 2 x USB 3.1 (Gen2), 4 x USB 3.0, 1 x DVI-I, 2 x DisplayPort, and 1 x M.2 Key M 2280 socket for ultra-fast data transfer speed.

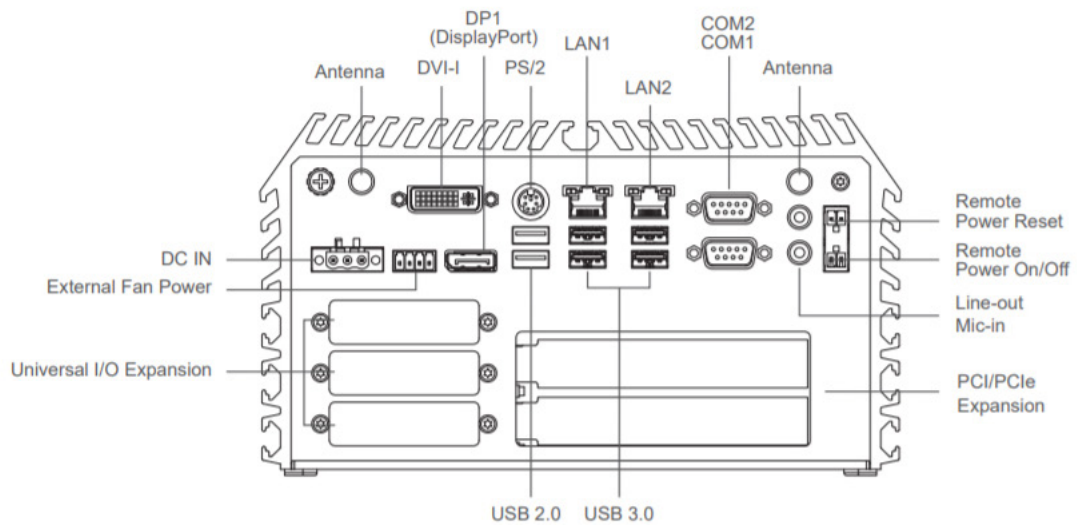
The LM-1000-CL allows users to expand I/O and functionality through ready-to-use modules, such as GbE/PoE ports, serial ports, optically isolated digital I/O and power ignition function.

External Layout

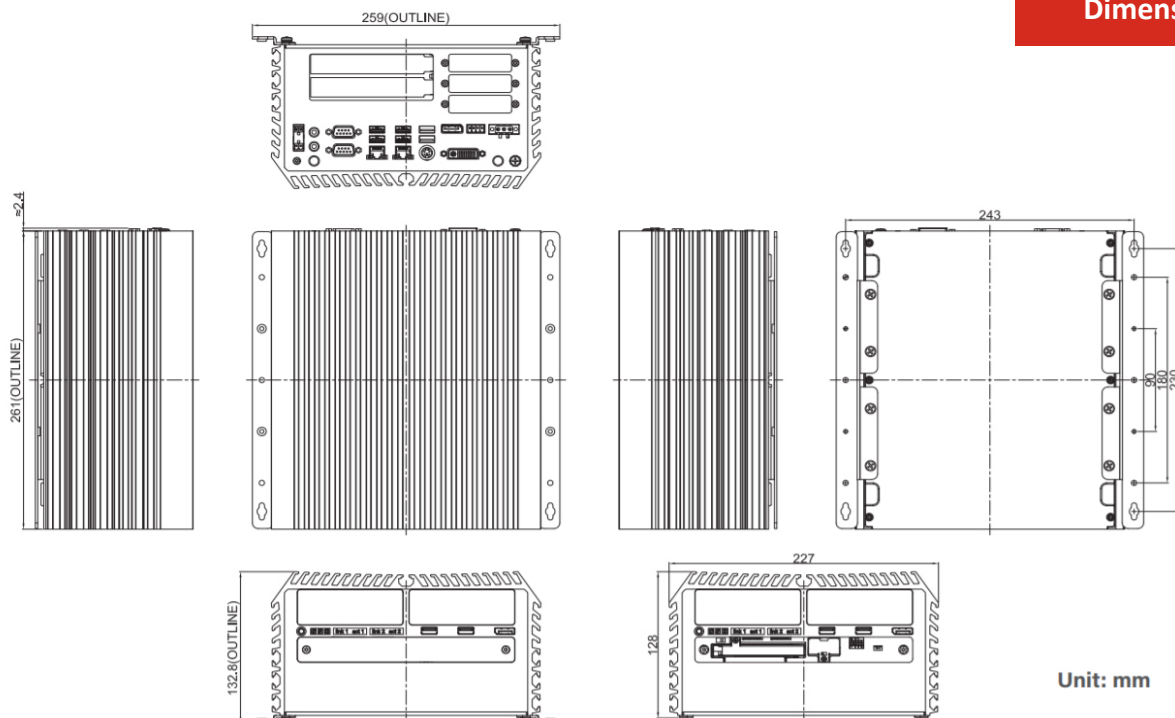
Front I/O



Rear I/O



Dimensions



Specifications

CPU Option	Intel® 8th/9th Gen CPU Supported. Core i3 9100TE. Core i5 9500TE. Core i7 9700TE. Others by request.
BIOS	AMI 32MB SPI BIOS.
Chipset	Intel® Q370.
Memory	Up to 64GB DDR4 2666MHz RAM installed.
Graphics	Integrated Intel® UHD Graphics 630: Core™ i7/i5/i3. Integrated Intel® UHD Graphics 610: Pentium® /Celeron®. Supports Triple Independent Display (1 x DVI-I, 2 x DisplayPort).
Audio	Realtek® ALC888. High Definition Audio.
I/O Ports	1 x DVI-I. 2 x DisplayPort. 2 x Gigabit LAN. 2 x USB 3.1 (Type A). 4 x USB 3.0 (Type A). 2 x USB 2.0 (Type A). 2 x Serial RS-232/422/485 With Auto Flow Control (Supports 5V/12V). 1 x PS/2. 1 x Audio (Line-Out & Mic-In). 1 x ATX Power On/Off Button. 1 x AT/ATX Mode Switch. 1 x Clear CMOS Switch. 1 x Remote Reset Connector. 1 x Remote Power On/Off Connector. 1 x External Fan Connector (Supports smart fan function).
Storage	2x 2.5" HDD/SSD Bays (One removable). 3 x mSATA (Shared by Mini-PCIe Socket). 1 x M.2 Key M 2280 Socket (Supports PCIe x4 NVMe SSD or SATA SSD).
Expansion	2 x PCI Express Expansion Slots. 3 x Full-size Mini-PCIe Socket. 2 x SIM Socket. 1 x CFM (Control Function Module) Interface. 2 x CMI (Combined Multiple I/O) High Speed Interface. 2 x CMI (Combined Multiple I/O) Low Speed Interface. 2 x Antenna Hole.
Other Functions	Supports Instant Reboot Technology (0.2 sec). SuperCap Integrated for CMOS Battery Maintenance-free Operation.

Watchdog Timer	Software Programmable Supports 1~255 sec. System Reset.
Power	Supports AT/ATX Power Type. Power Input Voltage 9~48VDC. 1 x 3-Pin Terminal Block. Power Adapter AC/DC 24V/5A 120W or 24V/9.2A 220W (Optional).
Physical	Extruded Aluminium With Heavy Duty Metal Construction. Unibody Chassis. Fanless Design. Jumper-less Design.
Protection	Reverse Power Input Protection. 58V Over Voltage Protection. 15A Over Current Protection. +/-15kV (air), +/-8kV (contact) ESD Protection. 3.84 kV Surge Protection (impedance 12 ohm 1.2/50us waveform).
Environmental	Shock: Operating, 50 Grms, Half-sine 11 ms Duration * w/ SSD, according to IEC60068-2-27. Vibration: Operating, 5 Grms, 5-500 Hz, 3 Axes * w/ SSD, according to IEC60068-2-64. (Testing performed without PCI Express expansion cards fitted.).
O/S Support	Windows® 10. Linux.
Mounting	Wall Mount.
Dimensions (W x D x H)	227mm x 261mm x 128mm.
Weight	~6 kg.
Certification	EMC: CE, FCC Class A. Safety: LVD, EN60950-1. (Testing performed without PCI Express expansion cards fitted).

Ordering Information

LM-1000-CL	Low Magnetic Signature Fanless Industrial Computer With 8th/9th Gen Core i7 With Up To 8 Cores, 64GB RAM, 2 x PCI Express Expansion Slots, No O/S.
-------------------	--



LM-1000-CL_Datasheet_10_2019.pdf

Technical specifications are subject to change without notice.
E & OE Issue A.

