

# AI Inference / DeviceEdge

## Jetson Platform AIB-MX13/AIB-MX23



### Features

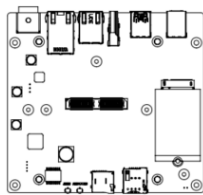
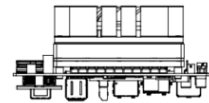
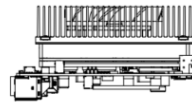
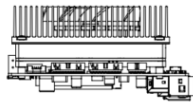
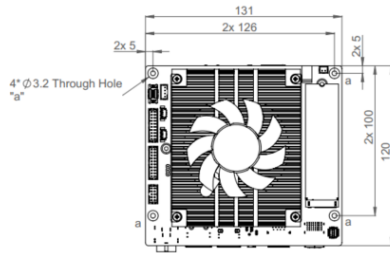
- Supports NVIDIA Jetson AGX Orin Series
- 1 x B-Key/E-Key/M-Key slot, 1 x GbE/10GbE port
- Wide Power Input Range 9 to 36 VDC
- Operating Temperature -25°C ~ +80°C
- Supports OOB (out-of-band) powered by Innodisk (optional)



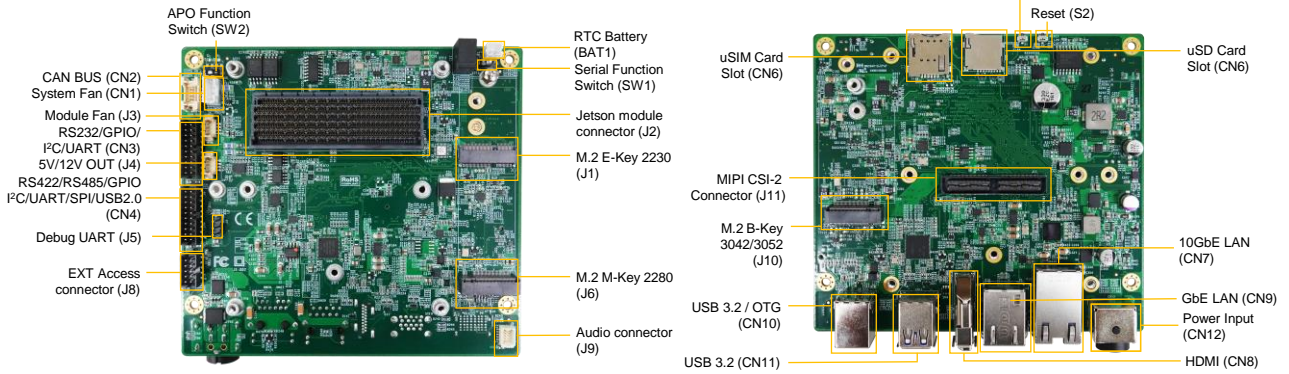
### Specifications

Model Number	AIB-MX13	AIB-MX23
Module Compatibility	NVIDIA Jetson AGX Orin 32GB	NVIDIA Jetson AGX Orin 64GB
AI Performance	200 TOPS	275 TOPS
GPU	1792-core NVIDIA Ampere GPU with 56 Tensor Cores	2048-core NVIDIA Ampere GPU with 64 Tensor Cores
CPU	8-core Arm® Cortex®-A78AE v8.2 64-bit CPU 2MB L2 + 4MB L3	12-core Arm® Cortex®-A78AE v8.2 64-bit CPU 3MB L2 + 6MB L3
Memory	32GB 256-bit LPDDR5 204.8 GB/s	64GB 256-bit LPDDR5 204.8 GB/s
Storage	64GB eMMC 5.1	
Display	1 x HDMI 2.0 Type A	
TPM	TPM v2.0 (optional)	
RTC	With super capacitor, battery (optional)	
Audio	Line-out/Line-in/Mic (optional with daughter board)	
Camera Input	1x 16-Lane MIPI Expansion Connector	
LAN	1 x RJ-45 GbE port, 1 x RJ-45 10GbE port	
USB	2 x USB 3.2 Gen1 Type A, 1 x OTG Type-C, 1 x USB 3.2 Gen2 Type-C	
I/O Interfaces	2 x I <sup>2</sup> C, 1 x I <sup>2</sup> S, 1 x SPI, 5 x GPIO, 1 x 3.3VDC/0.5A, 2 x 5VDC/0.5A, 1 x 12VDC/0.5A, 1 x USB 2.0, 2 x UART, 1 x UART (Debug only), 1 x RS-232, 1x RS-422/485 (2-in-1) 2 x CAN 2.0b (isolation; support CAN FD)	
Expansion	1 x M.2 B-Key 3042/3052 (LTE/4G/5G) 1 x M.2 E-Key 2230 (WiFi/BT) 1 x M.2 M-Key 2280 (supports NVMe; PCIe x4 Gen4) 1 x microSD Card Slot	
MISC. Function	1 x Power / 1 x Recovery / 1 x Reset button	
Power Consumption	Idle: 6.655 W Full Loading: 52.25* W	Idle: 6.9 W Full Loading: 72.25* W
	*For more test condition information, please refer to user manual	
Power Input / Connector	DC-in 9 to 36 VDC / 4-Pin DC Jack Power Connector	
Dimension (W x D x H)	131 x 120 x 62.9 mm (5.16 x 4.72 x 2.47 in)	
Net Weight	0.701 kg (1.54 lb) w/ Fansink	
Vibration	1 Grms, IEC 60068-2-64, random, 5 ~ 500 Hz, 1 hr/axis	
Shock	10 G, IEC 60068-2-27, half sine, 11 ms duration	
Temperature	Operating Temp.: -25°C ~ +80°C (-13°F ~ +176°F) Storage Temp.: -40°C ~ +85°C (-40°F ~ +185°F)	
Humidity	95% @ 40°C (104°F) (non-condensing)	
Software Support	Support Jetpack 5.0 above	
Certification	CE / FCC Class A / UKCA	

## System & Mounting Dimensions



## Carrier Board Layout



## Ordering Information

Model name	Description
AIB-MX13-1-A1	AGX Orin 32GB, 1 x HDMI, 1 x GbE, 1 x 10GbE, 3 x USB, B/E/M Key, 9 to 36 VDC input, -25°C ~ +80°C
AIB-MX23-1-A1	AGX Orin 64GB, 1 x HDMI, 1 x GbE, 1 x 10GbE, 3 x USB, B/E/M Key, 9 to 36 VDC input, -25°C ~ +80°C

## Packing List

Item/Part Number	Description
92-6BMX13-4003	AIB-MX13 carrier board w/ AGX Orin 32GB
92-6BMX23-4000	AIB-MX23 carrier board w/ AGX Orin 64GB
53-0FG160-1200	85~264V 138W 12V 11.5A power adaptor

## Accessories (Optional)

Part Number	Description
32-010000-0005	US power cord
32-010000-0006	EU power cord
32-010000-0008	JP power cord
3102000037N000	UK power cord
20-100000-0000	Battery wire Panasonic CR2032 3V/225mA L=45mm

## Peripheral (Optional)

[Download the List](#)

